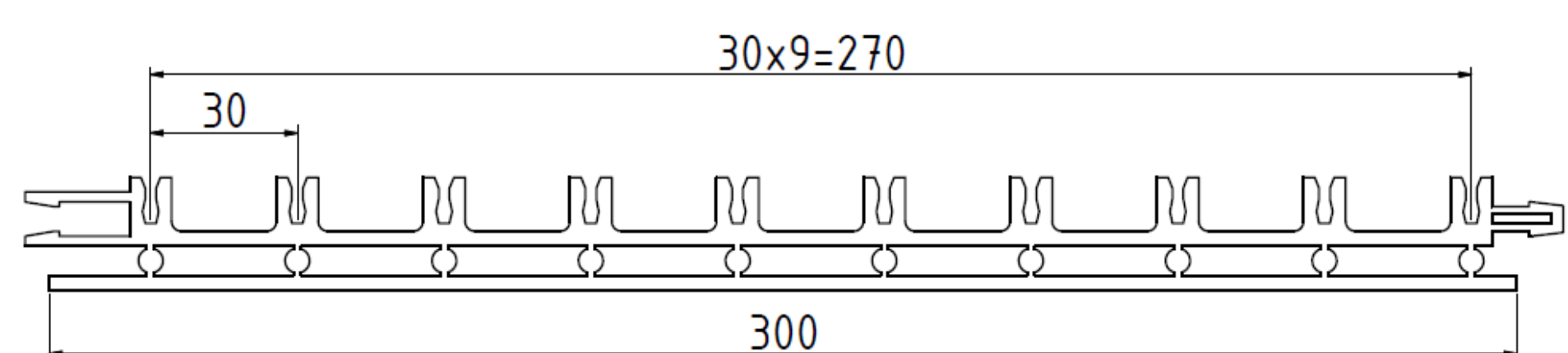
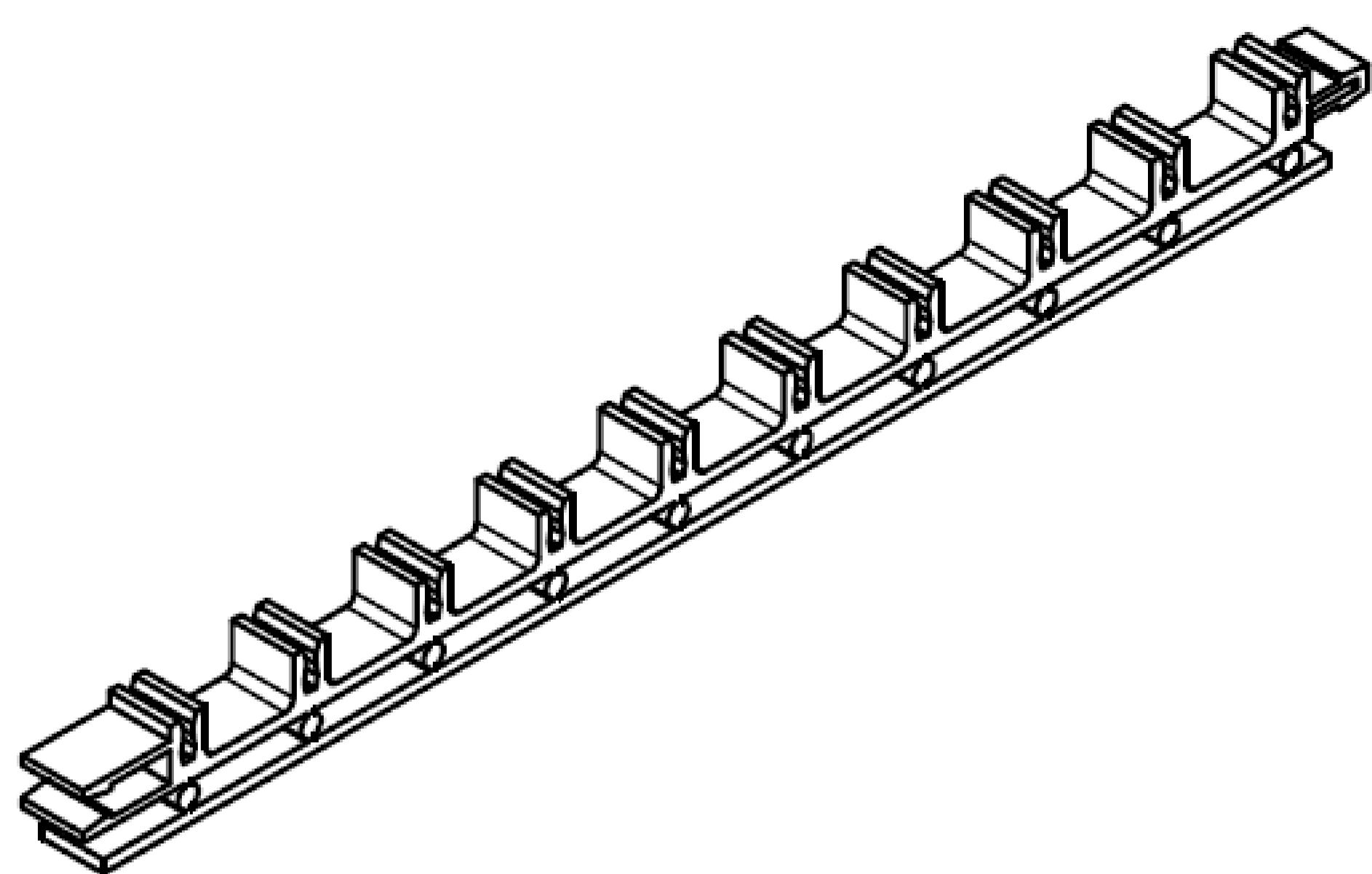
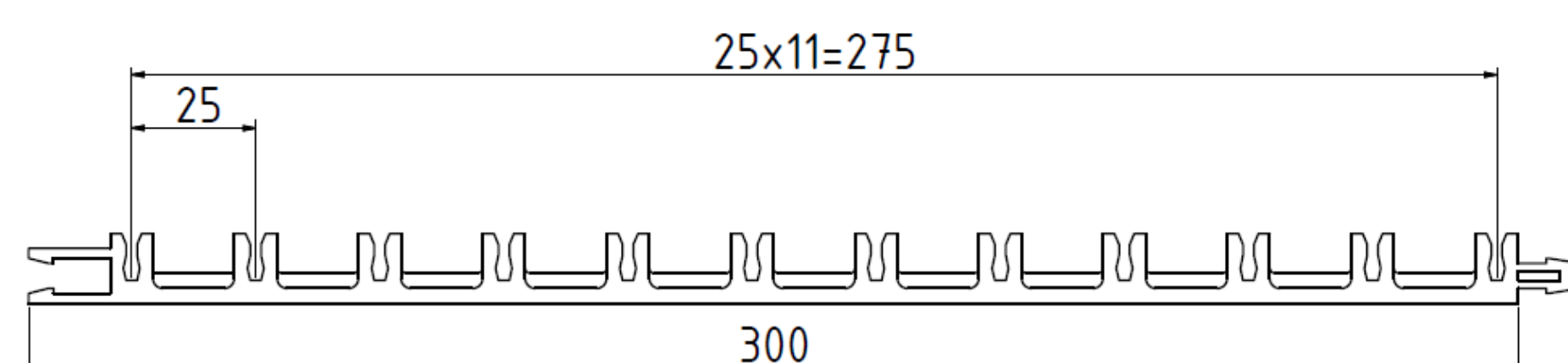
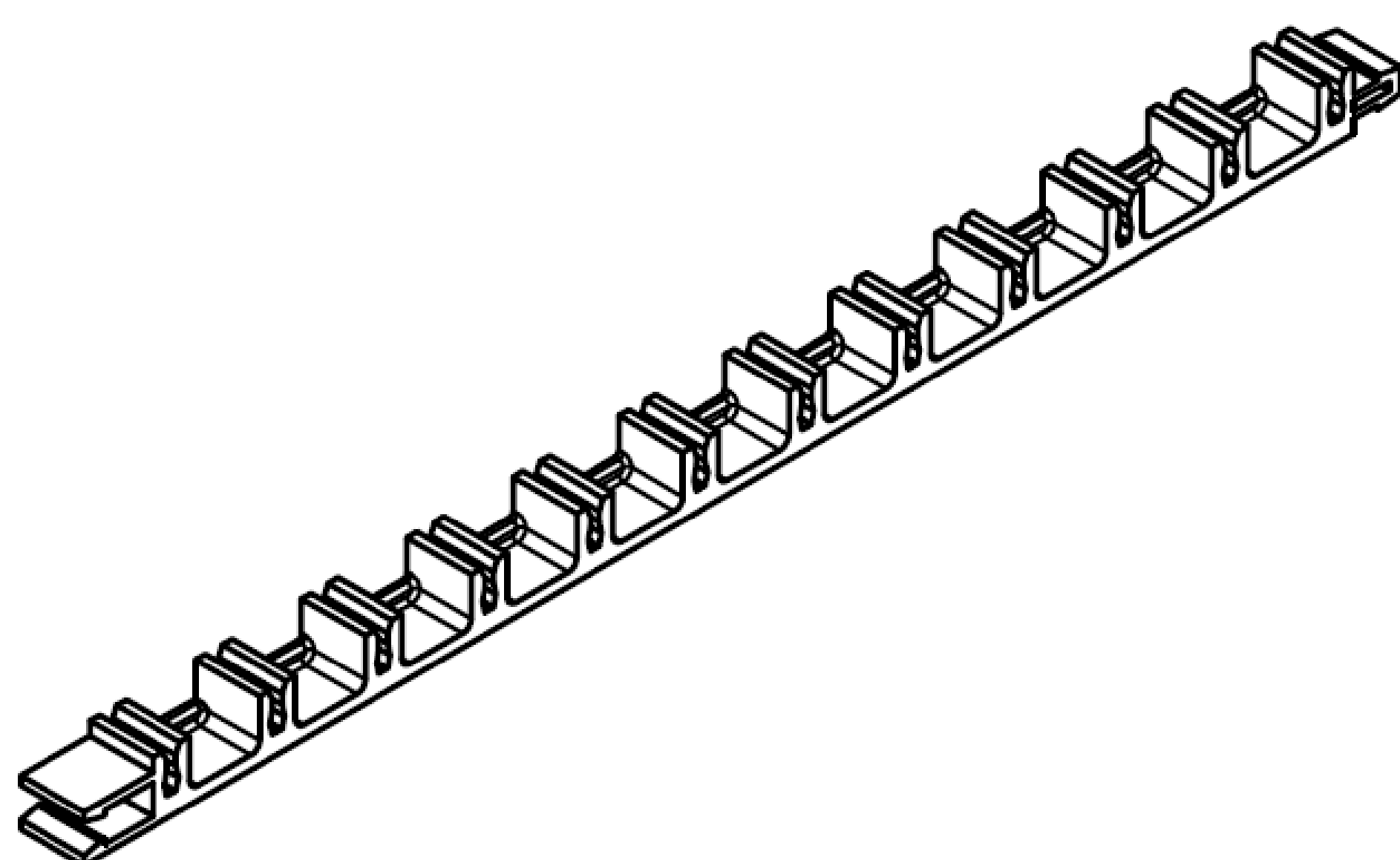


# MIST ELIMINATORS

## CLIP C30-BG/PP-10-BL



C30-BG/PP-10-BL



C25-WB/PP-12-WH

### Usage

The CLIP C is used to ensure uniform distances between profiles and thereby provides stability to the mist eliminator.

### Technical characteristics

- ▶ Length: 300 mm
- ▶ Easy installation
- ▶ CXX-BG: Clip with bridge
- ▶ CXX-WB: Clip without bridge

### Materials

Polypropylene

### Options

- ▶ Available with or without bridge
- ▶ Profile spacing: 25 mm or 30 mm
- ▶ Colours: black or white

### Product variations

ART.NO.	TYPE	MATERIAL	COLOUR
11.90.01.02	C25-BG	Polypropylene	black
11.90.02.02	C25-BG	Polypropylene	white
11.90.03.02	C25-WB	Polypropylene	black
11.90.04.02	C25-WB	Polypropylene	white
11.90.05.02	C30-BG	Polypropylene	black
11.90.06.02	C30-BG	Polypropylene	white
11.90.07.02	C30-WB	Polypropylene	black
11.90.08.02	C30-WB	Polypropylene	white